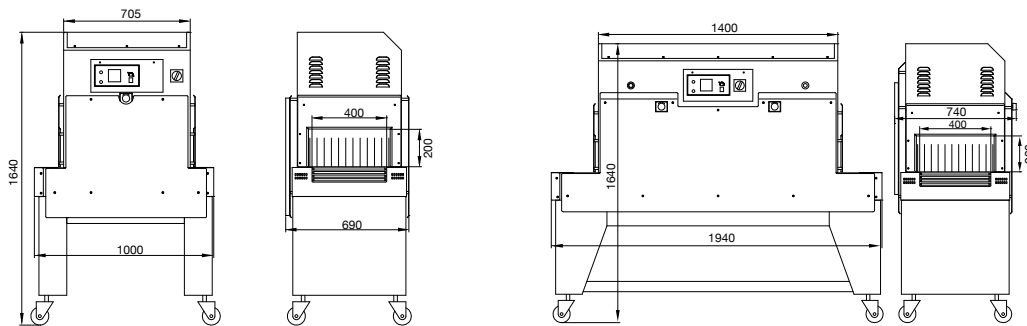


EKT-420/420D

EKT-SERIES



SPECIFICATION

POWER SUPPLY
MAX. POWER CONSUMPTION
TUNNEL INLET
MACHINE DIMENSION
MACHINE WEIGHT

EKT-420

220V., 60HZ., 3-PHASE ; 400V., 50HZ., 3-PHASE
7Kw
400mm (W) X 200mm (H)
1000mm (L) X 690mm (W) X 1640mm (H)
235Kg

EKT-420D

220V., 60HZ., 3-PHASE ; 400V., 50HZ., 3-PHASE
15Kw
400mm (W) X 200mm (H)
1940mm (L) X 740mm (W) X 1640mm (H)
375Kg

